

UV950A Series NDI Full HD PTZ Camera

Full HD, Wide View Angle, Multiple Video Interfaces. Multiple Protocols

UV950A Series NDI Full HD PTZ Camera offers perfect functions, superior performance and rich interfaces. The features include advanced ISP processing algorithms to provide vivid images with a strong sense of depth, high resolution, and fantastic color rendition. It supports H.264/H.265 encoding which makes motion video fluent and clear even under less than ideal bandwidth conditions.



Key Features

- **Superb High-definition Image**
UV950A employs 1/2.8 inch high quality CMOS sensor. Resolution is up to 1920x1080 with frame rate up to 60fps.
- **Various Optical Zoom Lens**
UV950A has 12X/20X/30X optical zoom lens for options. 12x zoom lens is with 72.5 ° wide view angle without distortion.
- **Exposure dynamic control algorithm:** a unique dynamic exposure control algorithm based on the human eye model, so that the picture exposure is uniform and the sense of layering is strong. Using the industry's most advanced WDR (Wide Dynamic Range) CMOS sensor, combined with exposure dynamic control algorithm processing, it can clearly capture and image all scenes in environments with strong contrast between light and dark (such as backlighting).
- **Low Noise and High SNR**
Low Noise CMOS effectively ensure high SNR of camera video. Advanced 2D/3D noise reduction technology is also used to further reduce the noise, while ensuring image sharpness.
- **Multiple Audio Output Interfaces**
Support DVI (HDMI), SDI. SDI supports to transmit 100 meters under the 1080P60 format.
- **Multiple Audio/Video compression**
Support H.264/H.265 video compression; AAC, MP3 and G.711A audio compression; Support compression of resolution up to 1920x1080 with frame up to 60fps.
- **Audio Input Interface**
Support 8000, 16000, 32000, 44100, 48000 sampling frequency and AAC, MP3, G711A audio coding.
- **Multiple Network Protocol**
Support ONVIF, GB/T28181, RTSP, RTMP, **NDI** protocols and support RTMP push mode, which is easy to link streaming media server (Wowza, FMS), RTP multicast mode and network full command VISCA control protocol.
- **Multiple Control Interface**
RS485, RS232. RS232 supports cascade function, which is convenient for installation.
- **Multiple Control Protocol**
Support VISCA, PELCO-D, PELCO-P protocols and automatic identification protocol.
- **Wide-range, Quiet and Quick Pan/Tilt Mechanism**
By adopting step driving motor mechanism, UV950A camera works extremely quiet and moves smoothly.
- **Low-power sleep function**
Support low-power sleep/wake up, the consumption is lower than 400mW under sleep mode.
- **Multiple Preset**
Support 255 preset positions (the remote controller is set to 10 preset positions).
- **Multiple Remote Controller**
Users can choose infrared remote controller or wireless remote controller according to the environmental conditions. The 2.4G wireless remote controller is not affected by the angle, distance or infrared interference. Support remote signal pass through function, which is convenient for back-end use.
- **Wide Application**
Tele-education, lecture capture, Webcasting, Videoconferencing, Tele-training, Tele-medicine, Interrogation and Emergency command systems.

Phone: [+86-17771843647](tel:+86-17771843647)

Tel: [+86-755-33288582](tel:+86-755-33288582)

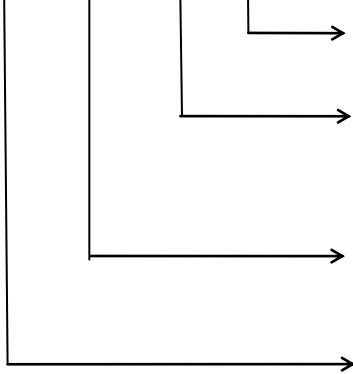
E-mail: claire@mingricctv.com

Web: www.minrraycam.com

Address: 5&6 Floor, Building 13-A, ZhongHaiXin Technology Park, Ganli Road, Lilang Avenue, Buji, Shenzhen 518112, China

Order No.

UV950AX—XXX—XXX—XX



IR---IR Remoter
WR---Wireless Remoter

ST--- DVI & SDI & LAN

12---12X optical zoom
20---20X optical zoom
30---30X Optical Zoom

S---1080P60 downward compatible
M---1080P30 downward compatible

Technical Specification

Phone: [+86-17771843647](tel:+86-17771843647)

Tel: [+86-755-33288582](tel:+86-755-33288582)

E-mail: claire@mingricctv.com

Web: www.minrraycam.com

Address: 5&6 Floor, Building 13-A, ZhongHaiXin Technology Park, Ganli Road, Lilang Avenue, Buji, Shenzhen 518112, China

Model	UV950A-12	UV950A-20	UV950A-30
Camera Parameter			
Optical Zoom	12X f=3.9~46.8mm	Shenzhen Minrray Industry Co., Ltd. f=5.5~110mm	
			f=4.3~129mm
Sensor	1/2.8 inch high quality HD CMOS sensor		
Effective Pixels	16:9 2.07 megapixel		
Video Format	DVI (HDMI) /SDI video format 1080P60/50/30/25/59.94/29.97;1080I60/50/59.94;720P60/50/30/25/59.94/29.97		
View Angle	6.3°(tele)-72.5°(wide)	3.3°(tele)-54.7°(wide)	2.34°(tele)-65.1°(wide)
AV	F1.8 ~ F2.4	F1.6 ~ F3.5	F1.6 ~ F4.7
Digital Zoom	10X		
Minimum Illumination	0.5Lux (F1.8, AGC ON)		
DNR	2D & 3D DNR		
White Balance	Auto / Manual/ One Push/ 3000K/3500K/4000K/4500K/5000K/5500K/6000K/6500K/7000K		
Focus	Auto / Manual/ One Push		
Aperture	Auto/Manual		
Electronic Shutter	Auto/Manual		
BLC	ON/OFF		
WDR	OFF/ Dynamic level adjustment		
Video Adjustment	Brightness,Color,Saturation,Contrast,Sharpness,B/W mode,Gamma curve		
SNR	>55dB		
Input/Output Interface			
Video Interfaces	UV950A-12/20/30-ST Model :3G-SDI,DVI (HDMI), NDI ,RS232(IN/OUT),RS485,A-IN		
Image Code Stream	Dual stream output		
Video Compression Format	H.264, H.265		
Control Signal Interface	RS232 Ring through RS232 output, RS485		
Control Protocol	VISCA/Pelco-D/Pelco-P; Baud Rate: 115200/9600/4800/2400bps		
Audio Input Interface	Double track 3.5mm linear input		
Audio Compression Format	AAC/MP3/G.711A Audio compression		
Network Interface	100M IP port(100BASE-TX)		
Network Protocol	RTSP, RTMP, ONVIF, GB/T28181, NDI , Network VISCA Control Protocol, Support remote upgrade, reboot and reset.		
Power Interface	HEC3800 outlet (DC12V)		
PTZ Parameter			
Pan Rotation	±170°		
Tilt Rotation	-30°~+90°		
Pan Control Speed	0.1 -100%/sec		
Tilt Control Speed	0.1-45%/sec		
Preset Speed	Pan: 100%/sec, Tilt: 45%/sec		
Preset Number	255 presets (10 presets by remote controller)		
Other Parameter			
Power Adapter	AC110V-AC220V to DC12V/1.5A		
Input Voltage	DC12V±10%		
Input Current	1A(Max)		
Consumption	12W (Max)		
Store Temperature	-10℃~+50℃		
Store Humidity	20% - 95%		
Working Temperature	-10℃~+50℃		
Working Humidity	20%--80%		
Dimension	258mmX172mmX168mm		
Weight	1.54KG		
Accessory	Power supply,RS232 control cable, Remote controller, User manual		
Optional Accessories	Mounting bracket		

Phone:+86-17771843647

Tel:+86-755-33288582

E-mail:claire@mingricctv.com

Web:www.minrraycam.com

Address: 5&6 Floor,Building 13-A,ZhongHaiXin Technology Park,Ganli Road,Lilang Avenue,Buji,Shenzhen 518112,China

Dimension(mm):

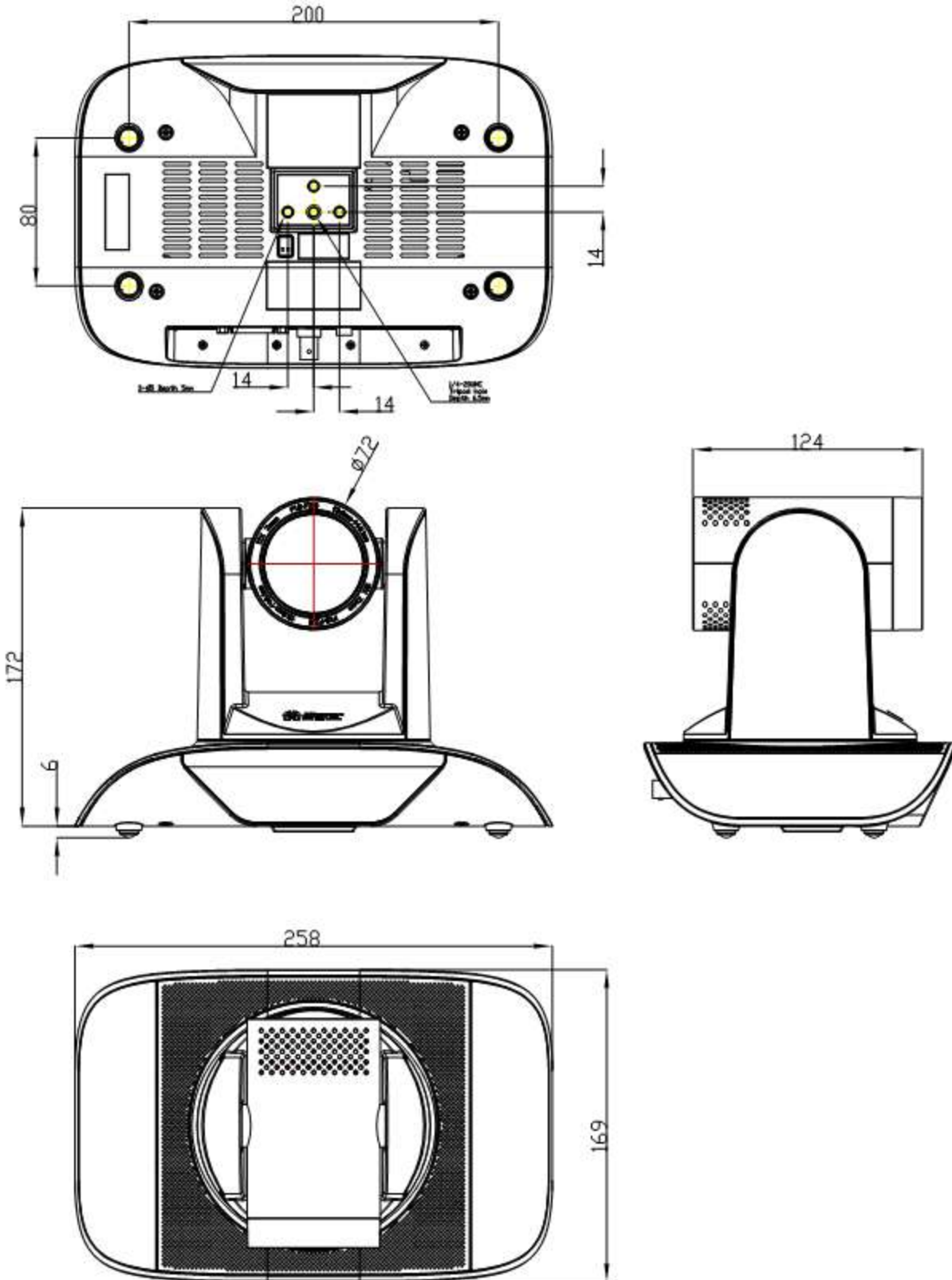
Phone:[+86-17771843647](tel:+86-17771843647)

Tel:[+86-755-33288582](tel:+86-755-33288582)

E-mail:claire@mingricctv.com

Web:www.minrraycam.com

Address: 5&6 Floor, Building 13-A, ZhongHaiXin Technology Park, Ganli Road, Lilang Avenue, Buji, Shenzhen 518112, China



Phone: +86-17771843647

Tel: +86-755-33288582

E-mail: claire@mingricctv.com

Web: www.minrraycam.com

Address: 5&6 Floor, Building 13-A, ZhongHaiXin Technology Park, Ganli Road, Lilang Avenue, Buji, Shenzhen 518112, China